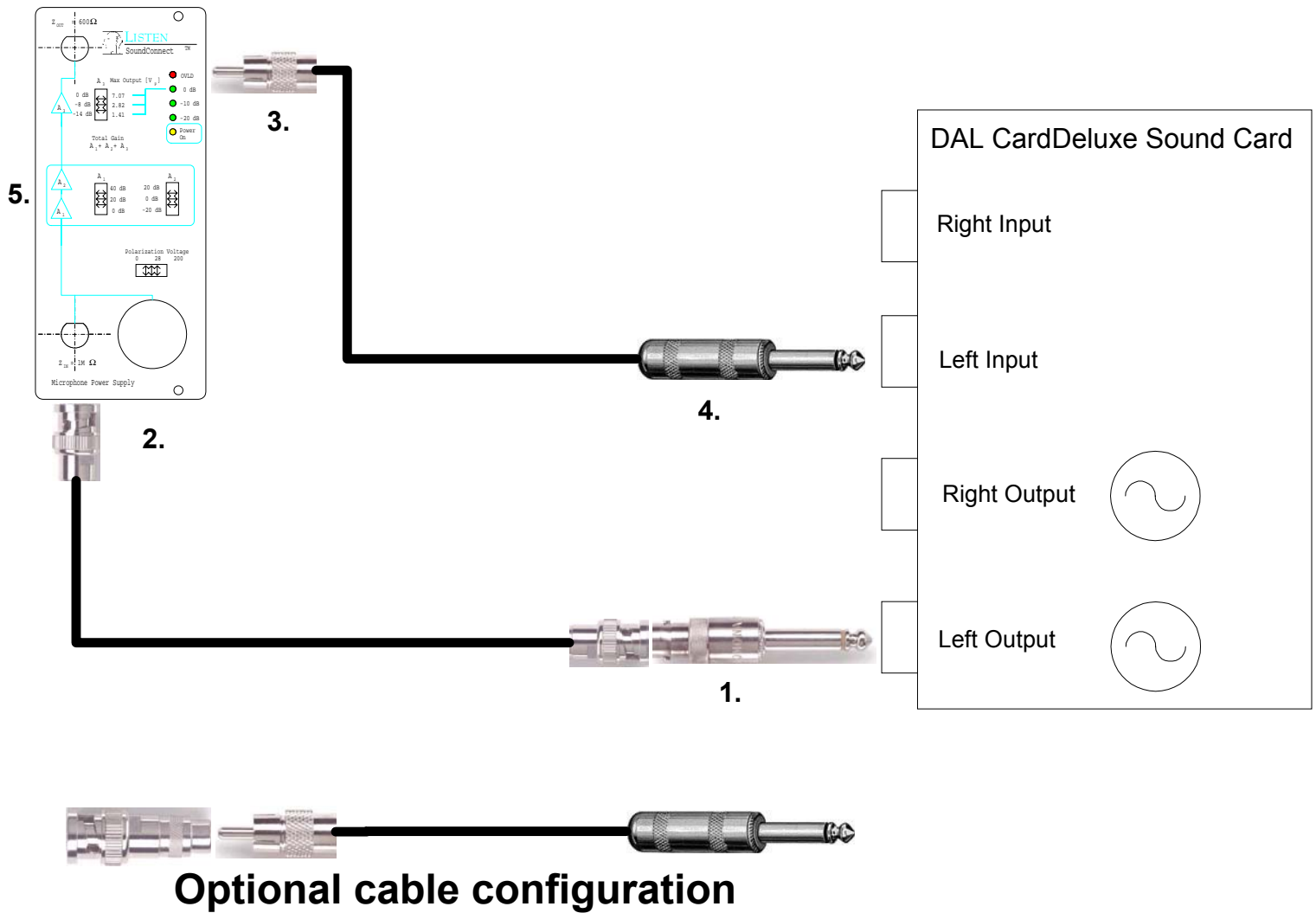


# SoundConnect™



1. Plug 1/4-inch-to-BNC adapter jack into Left Out of sound card.
2. Plug a BNC-to-BNC cable from adapter to the BNC input of front panel of SoundConnect.
3. Plug RCA phono connector to back of SoundConnect
4. Plug 1/4-inch jack into Left In of sound card.
5. Set  $A_1$ ,  $A_2$ , and  $A_3$  switches to 0 dB.
6. Use the "Gain & RSP" sequence located in the Electronics folder to test the SoundConnect power supply.

NOTE: A 1/4-inch male-to-BNC adapter may be difficult to obtain. This can be substituted with a 1/4 inch-to-RCA cable and then using a female RCA (phono) to BNC adapter.